

**Digital Undercounter  
 ecostore HP Premium Refrigerated  
 Counter - 290lt, 2-Door, Cooling Unit  
 Right**

ITEM # \_\_\_\_\_

MODEL # \_\_\_\_\_

NAME # \_\_\_\_\_

SIS # \_\_\_\_\_

AIA # \_\_\_\_\_


**710004 (EH2HDAA)**

 2-door Refrigerated Counter  
 290lt, -2+10°C, AISI 304, with  
 right cooling Unit

### Short Form Specification

**Item No.** \_\_\_\_\_

AISI 304 stainless steel panels, AISI 430 bottom panel, galvanized back panel. Worktop thickness 50mm. N. 2 full doors. Built-in refrigeration unit. Operating temperature: -2+10°C. R290 gas in refrigeration circuit. Supplied with 1 grid for each door compartment

### Main Features

- Preservation performances and temperature uniformity within the cell guaranteed at 5-HEAVY DUTY (40°C) working conditions according to EN16825:2016 test protocol.
- Adjustable temperature range from -2 °C to +10 °C to suit meat, fish and dairy storage requirements.
- Large digital white-digit display with humidity selection button (3 preset level), internal temperature display and setting, manual activation of defrost cycle and turbo frost cycle (to rapidly cool warm loads).
- Equipped with Optiflow forced air circulation system for rapid cooling and temperature distribution within the cell.
- 0mm clearance installation space: tower configuration cooling unit guarantee performance with frontal ventilation only; this unique solution allows installation against the wall or side by side with other appliances, even on the cooling unit side to maximize the use of kitchen space.
- Mounted on stainless steel feet to give 150 mm (-5/+50 mm) clearance for ease of cleaning the floor.
- Combination of doors and drawers to suit any configuration need, with the possibility to change the configuration on site.
- Fully removable cooling unit to facilitate maintenance.
- External bottom panel in stainless steel.
- Frontal and easy access to all components in the cooling unit.
- External back panel in galvanized steel.
- Fully compliant HACCP digital control: when temperature exceeds critical limits, acoustic and visual alarms are activated. Up to two months of event are kept in memory.
- Anti-tilt runners accept GN 1/1 containers.
- Self closing stainless steel doors (< 90°).
- Certified safety CE requirements.
- Prearranged to fit RS485 port to facilitate connection to a remote computer and integrated HACCP systems.
- Hot gas automatic evaporation of defrost water.
- Connectivity ready for real time access to connected appliances from remote and data monitoring (requires optional accessory).
- Tropicalized unit.

**APPROVAL:** \_\_\_\_\_

### Construction

- 2 compartments with 2 doors.
- Worktop in AISI 304 Stainless steel with a 50 mm profile.
- If needed, working top can be removed for easier handling during installation (in case of narrow doors).
- Anti-drip profile on stainless steel worktop edge.
- Interior base with rounded corners, pressed from a single sheet.
- Ease of cleaning and high hygiene standards thanks to the rounded internal corners, the easily removable runners, grids and air conveyors.
- Internal structure with 15 charging positions (3 cm pitch) available to host GN 1/1 grids, ensuring higher net capacity and a greater storage space.
- Internal and external doors, front and side panels and removable worktop in AISI 304 Stainless steel.
- Built-in refrigeration unit.
- Developed and produced in ISO 9001 and ISO 14001 certified factory.
- Fault code display.

### Sustainability



- Top energy efficiency (class A) and granted uniformity even at extreme working conditions (class 5; 40°C and 40% humidity): unbeatable performance, certified by energy test protocol EN16825:2016.
- Removable triple-chamber balloon magnetic gasket to improve insulation and reduce energy consumption and ease of cleaning.
- Fitted with 90 mm thickness of cyclopentane insulation for best insulating performance (thermal conductivity: 0,020 W/m\*K) and lowest environmental impact (GWP=3).
- Frost Watch Control starts automatically the defrosting process only when needed and ends once ice is melted, improving energy efficiency results.
- Hydrocarbon refrigerant gas R290 for the lowest environmental impact (GWP=3) - CFC and HCFC free.
- CFC and HCFC free, highly ecological refrigerant type: R290 (ecological gas in foam: cyclopentane). Hydrocarbon refrigerant gas R290 for the lowest environmental impact (GWP=3), to reduce green house and ozone depletion effects.

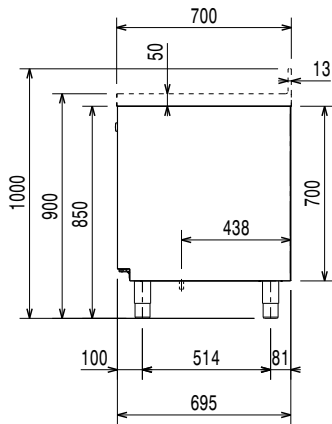
### Included Accessories

- 2 of Kit 1/1 grey rilsan grid and 2 side runners for refrigerated counters PNC 881109

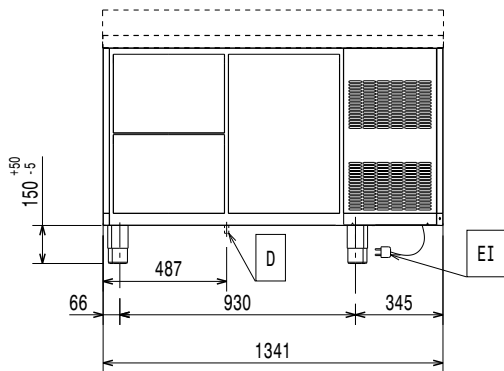
### Optional Accessories

- 2x½ drawer kit for refrigerated counters PNC 881058
- 3x1/3 drawer kit for refrigerated counters PNC 881059
- 1/3 and 2/3 bottle drawer kit for refrigerated counters PNC 881071
- 1/1GN grey rilsan grid for refrigerated counters PNC 881107
- 2 side runners for 1/1 GN ecostore refrigerated counters PNC 881108
- Kit 1/1 grey rilsan grid and 2 side runners for refrigerated counters PNC 881109
- 1/1 GN plastic container, H=65 mm PNC 881110
- 1/1 GN plastic container, H=100 mm PNC 881111
- 1/1 GN plastic container, H=150 mm PNC 881112
- Kit 4 wheels, H=100 mm (2 with brakes) for refrigerated counters PNC 881191
- Kit 4 wheels, H=150 mm (2 with brakes) for 2&3 compartment refrigerated counters PNC 881193
- Lock for refrigerator/freezer counters with 2 compartments - h700mm (can be used in kit for Marine conversion) PNC 881242

Side

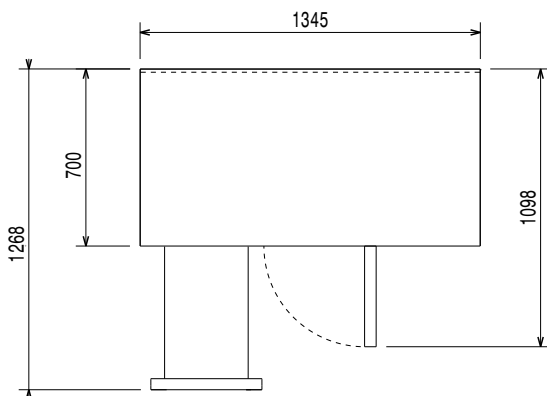


Front



EI = Electrical inlet (power)

Top


**Electric**

<b>Supply voltage:</b>	710004 (EH2HDAA)	220-240 V/1 ph/50 Hz
<b>Electrical power max.:</b>		0.25 kW
<b>Defrost Power:</b>		0.3 kW
<b>Plug type:</b>		CE-SCHUKO

**Key Information:**

<b>Gross capacity:</b>	290 lt
<b>Net Volume:</b>	198 lt
<b>Door hinges:</b>	1 Left+1 Right
<b>External dimensions, Width:</b>	1345 mm
<b>External dimensions, Depth:</b>	700 mm
<b>External dimensions, Height:</b>	900 mm
<b>Internal Dimensions, Width:</b>	798 mm
<b>Internal Dimensions, Depth:</b>	560 mm
<b>Internal Dimensions, Height:</b>	550 mm
<b>Net weight:</b>	107 kg
<b>Shipping volume:</b>	1.14 m <sup>3</sup>
<b>Depth with doors open:</b>	1110 mm
<b>Height adjustment:</b>	-5/50 mm

**Refrigeration Data**

<b>Control type:</b>	Digital
<b>Compressor power:</b>	1/4 hp
<b>Refrigeration power at evaporation temperature:</b>	-10 °C
<b>Min/Max internal humidity:</b>	40/85
<b>Operating temperature min.:</b>	-2 °C
<b>Operating temperature max.:</b>	10 °C
<b>Operating mode:</b>	Ventilated

**ISO Certificates**

<b>ISO Standards:</b>	ISO 9001; ISO 14001; ISO 45001; ISO 50001
-----------------------	---

**Sustainability**

<b>Current consumption:</b>	1.8 Amps
<b>Energy Class (EU Reg. 2015/1094):</b>	A
<b>Yearly and daily energy consumption (EU Reg. 2015/1094):</b>	456kWh/year - 1kWh/24h
<b>Climate class (EU Reg. 2015/1094):</b>	Heavy Duty (5)
<b>Energy Efficiency Index-EEI (EU Reg. 2015/1094):</b>	19,86
<b>Refrigerant type:</b>	R290
<b>GWP Index:</b>	3
<b>Refrigeration power:</b>	320 W
<b>Refrigerant weight:</b>	70 g

**EU energy labelling from 1st July 2016**

The European energy labelling scheme for professional refrigerators and freezers is based on requirements setting Minimum Energy Performance standards for commercial refrigeration cabinets sold within the EU.

These requirements are designed to drive energy efficiency and environmentally friendly approach for professionals. The European energy labelling scheme will apply to all manufacturers and importers who sell and market products within the EU and it is mandatory across Europe. Important: all products which consume energy above the minimum level will not be able to be sold within the EU from 1 July 2016.

SI 2020 No. 1528.

Important: all products which consume energy above the minimum level will not be able to be sold within the EU from 1 July 2016.

